

TALOS[®] SFD-1000-R

Remote Lightning Detection Device
Designed for OEM Applications

*Patent Pending

SFD-1000-R Housing



Round Indicator



Square Indicator



APPLICATIONS

- Golf Carts
- Boats
- Jet Skis
- ATVs and Lawn Equipment
- Construction Sites & Equipment
- Motorcycles
- Utility Trucks
- Agriculture

Designed for OEM customized applications, the SFD-1000-R utilizes a proprietary patent-pending compact design.

***Meets OSHA & NOAA requirements for protecting employees from dangerous lightning.**



DESCRIPTION

Lightning can strike from 25 miles away, but thunder can only be heard from 10 miles away. This means lightning can strike even when the sky is blue and it appears no storm is in sight. Each year in the U.S., there are approximately 25 million cloud-to-ground lightning flashes and about 300 people struck by lightning causing death or permanent disability.

How do you stay aware of changing weather conditions? The TALOS Remote Lightning Detector alerts you to approaching or departing storm fronts and lightning by sensing the distance of the lightning strikes that are occurring in the area. Audible and visual alerts make you aware of potentially life-threatening situations.

Why TALOS when your phone already provides weather alerts?

- Phones are not always in hand when lightning is imminent
- Weather app alerts can be delayed due to tower/doppler location
- Weather apps alert at specific intervals - TALOS alerts in real time.
- The environment is too noisy to hear cell phone alerts
- Cell towers may be out of range



INSTALLATIONS



FEATURES & BENEFITS

- Up to 25 Mile Range
- Compact Design
- Same Technology Used in Expensive Weather Stations
- 3 Different Colors Indicate the Distance (approaching or departing) of the Storm Front:
Green = 25 miles, Blue = 16 miles, Red = 6 miles
- 3 Audible Beeps Each Time Lightning is Detected.
- If Lightning Strikes Multiple Times in 1 second, all 3 Colors will Rotate Indicating Maximum Danger**
- Flashes Yellow Once a Minute When in Active Listening Mode
- Easy to Mount
- Clean Look When Mounted
- Low Cost
- High Accuracy
- IP-67 Waterproof
- OEM Tested and Approved
- Low Power Consumption

ELECTRICAL CONNECTIONS

- Red Wire: 12 Volt DC Positive
- Green Wire: 12 Volt DC Ground
- 6 Pin Waterproof Connector

SPECIFICATIONS

Performance @ 25°C (77 °F)
Operating Temperatures
Reverse Polarity Protection

-20 to 80 °C (-4 to 176 ° F)
Yes

Input
Supply Voltage
Current (listening mode)
Current (detecting mode)

6-30 VDC
400 µA
4.5mA

Indicator Cutout Size

Round: 3/4" diameter
Rectangle: 1.400"-1.450" Long x .800"-.825" Wide

Cable Size Options: 3 ft, 10 ft, 20 ft



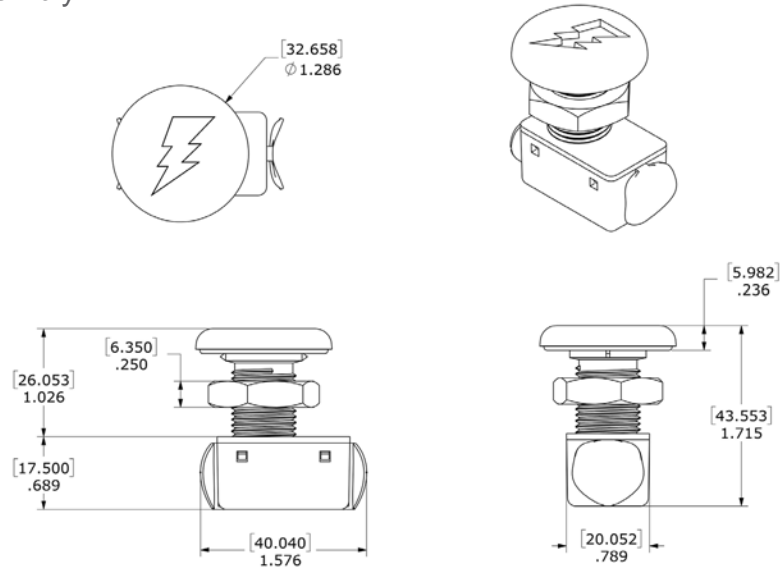
**If remote housing is placed close to electrical noise interference, all colors will rotate, just as it would if multiple lightning strikes were detected at once.

REV: 6.21

DIMENSIONS

Round Indicator Assembly

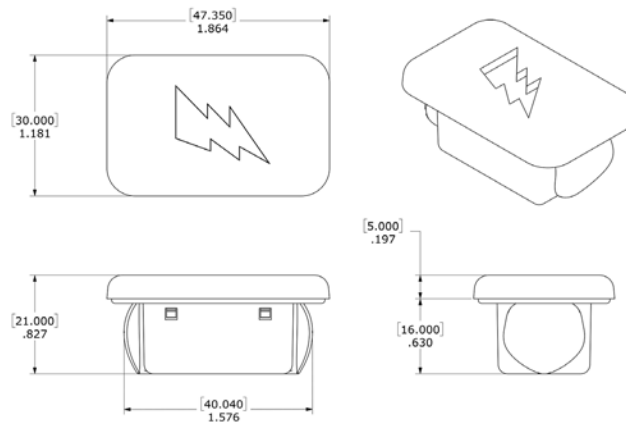
Measurements:
Top Number = Millimeters
Bottom Number = Inches



*Requires 3/4" mounting hole

Rectangle Indicator Assembly

Measurements:
Top Number = Millimeters
Bottom Number = Inches

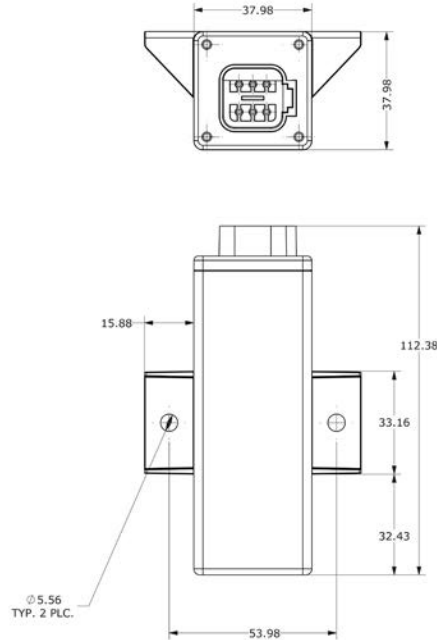


*Fits inside industry standard rocker switch knockout



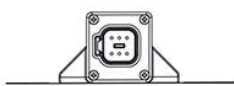
DIMENSIONS

Remote Housing Measurements in millimeters

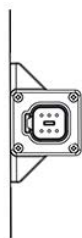


MOUNTING ORIENTATION

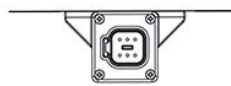
Mounting
Tabs Bottom
-1



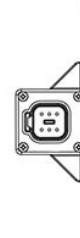
Mounting
Tabs Left
-2



Mounting
Tabs Top
-3



Mounting
Tabs Right
-4



Mounting Orientation determines where antenna will be placed inside the remote housing.
Antenna must be facing skyward.

ORDERING

Series — Power Options — Mounting Options — Housing Color

SFD — 1000-R — -1 — C

1000-R = Remote Housing

-1 = Mounting tabs bottom
-2 = Mounting tabs left
-3 = Mounting tabs top
-4 = Mounting tabs right

C = Clear
B = Black
W = White



*Consult technical sales for custom OEM options/solutions

REV: 6.21

HOUSING



Clear



Black



White

ACCESSORIES

Optional Indicators



SFD-ANR-RSB



SFD-ANR-RSW



SFD-ANR-GRB



SFD-ANR-GRW



Cable Lengths

Length	Part Number
3 ft:	SFD-CBL-03
10 ft:	SFD-CBL-10
20 ft:	SFD-CBL-20



Optional 6" Splitter Cable
(Required for use of dual indicators)
SFD-SPLITR

Specifications may change without notice. The information we supply is believed to be accurate and reliable as of this printing. However, we assume no responsibility for its use. While we provide application assistance personally, through our literature and the PMT web site, it is up to the customer to determine the suitability of the product in the application.

